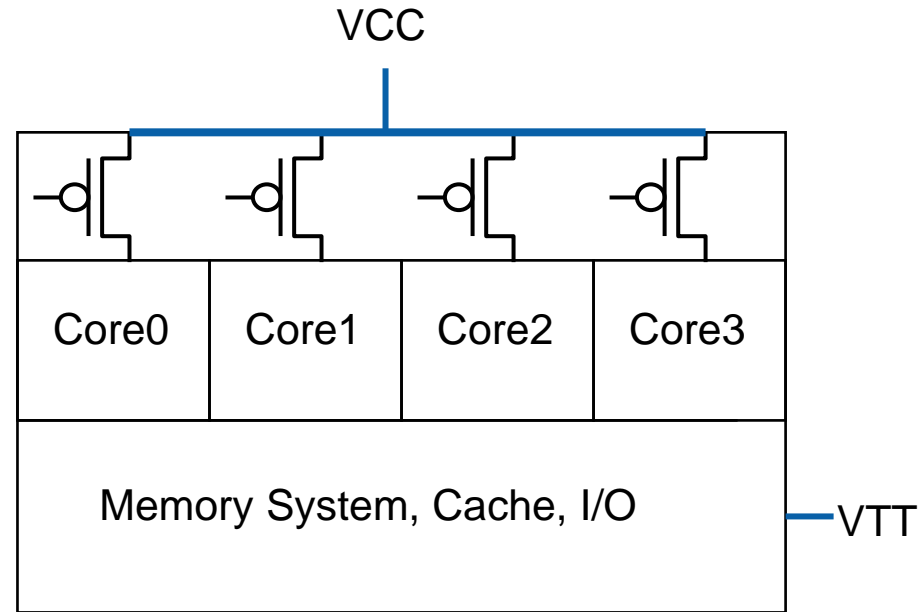


Intel® Core™ Microarchitecture (Nehalem): Integrated Power Gate

- Integrated power switch between VR output and core voltage supply
 - Very low on-resistance
 - Very high off-resistance
 - Much faster voltage ramp than external VR
- Enables per core C6 state
 - Individual cores transition to ~0 power state
 - Transparent to other cores, platform, software, and VR



*Close collaboration with process technology
to optimize device characteristics*